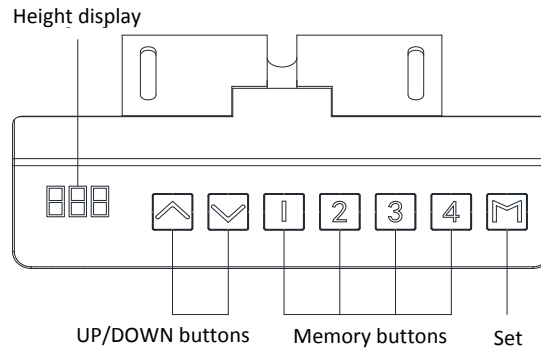


Instructions For Use



<p>IMPORTANT: You must reset the lifting column prior to use.</p> <p>Reset Procedure:</p> <ol style="list-style-type: none"> 1. Press and hold the DOWN button on the handset until the column reaches its lowest height. 2. Release the DOWN button. 3. Press and hold the DOWN button for about 5 seconds until LED sounds "di". The desk will be ready to use. 	<p>Changing the anti-collision sensitivity:</p> <ol style="list-style-type: none"> 1. There are three anti-collision settings on the JS control system: a.0 = no anti-collision b.1 = least sensitive c.8 = most sensitive 2. To change the setting do the following: <ol style="list-style-type: none"> 1) Press and hold the M button for 5 seconds until the LED display reads "S-x" and starts flashing. 2) Press the M button again, then press UP or DOWN until "2" is displayed on the handset. 3) Press the UP or DOWN buttons switches to "0", "1", and "8". 4) Press the M button the desk
<p>Adjust desk height:</p> <p>Press UP or DOWN button to adjust the lifting leg.</p>	<p>CHANGING FROM INCHES TO CENTIMETERS: (0 is centimeters. 1 is inches)</p> <ol style="list-style-type: none"> 1. Press and hold the M button for 5 seconds until the LED display reads "S-x" and starts flashing. 2. Press the M button again, then press UP or DOWN until "1" is displayed on the handset. 3. Press the UP or DOWN buttons switches to "0", and "1". 4. Press the M button the desk is now ready to use.
<p>Memory setting:</p> <ol style="list-style-type: none"> 1. Press the UP or DOWN button to move the column to the desired height. 2. Press the "M" button until the LED flashes. 3. Press the number "1, 2, 3, or 4" you want the column set to. 	<p>SETTING THE UPPER AND LOWER LIMITS:</p> <p>The column can adjust the upper and lower travel limit.</p> <p>Set the UPPER or LOWER Limit:</p> <ol style="list-style-type: none"> 1. Use the UP/DOWN buttons to move the column to the desired height. 2. Press the "UP" and "DOWN" button for about 5 seconds until sounds "di". 3. The new upper or lower limit is now set. <p>Removing the Upper or Lower Position:</p> <ol style="list-style-type: none"> 1. Press the "UP" and "DOWN" button together for about 5 seconds until sounds "di". 2. The upper or lower limits are now removed. <p>NOTE II: Reset the Memory positions if they are outside the new range. NOTE III: If you attempt to revise a previously set upper or lower limit, and it is outside of the existing range, you will need to remove the previously set upper/lower limit first.</p>
<p>LOCKING OR UN-LOCKING THE HANDSET.</p> <p>To Lock:</p> <ol style="list-style-type: none"> 1. Press and hold the "M" and "UP" buttons for about 5 seconds until LED shows LOC. 2. Release the button. 3. Handset is now locked. <p>To Unlock: (Removing LOC on the handset)</p> <ol style="list-style-type: none"> 1. Press and hold the "M" and "DOWN" buttons for about 5 seconds until LED shows the height display. 2. Release the button. 3. Handset is now unlocked. 	

TROUBLESHOOTING:

The first step to reconnecting all wires and power code is to make sure the wires are solidly connected. Then RESET THE DESK:

Error code	Error cause	Measure
E04	Handset not connected	Check handset cable connection to the controller and execute RESET .
E05	Anti-collision	Fixed controller and handset.
HOT	Overheat	Allow the desk to cool down for 5-18 minutes.
E11	Lifting leg 1 not connected	Check lifting leg cable connection to the controller and execute RESET .
E21	Lifting leg 2 not connected	Check handset cable connection to the controller and execute RESET .

If the error cannot be corrected through the described measure:

Unplug the power plug.

Wait approx. 5 minutes

Execute **RESET**.

If an error still occurs after these steps have been executed. Please contact your sales rep.